
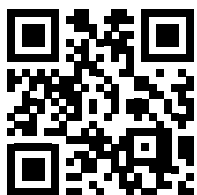
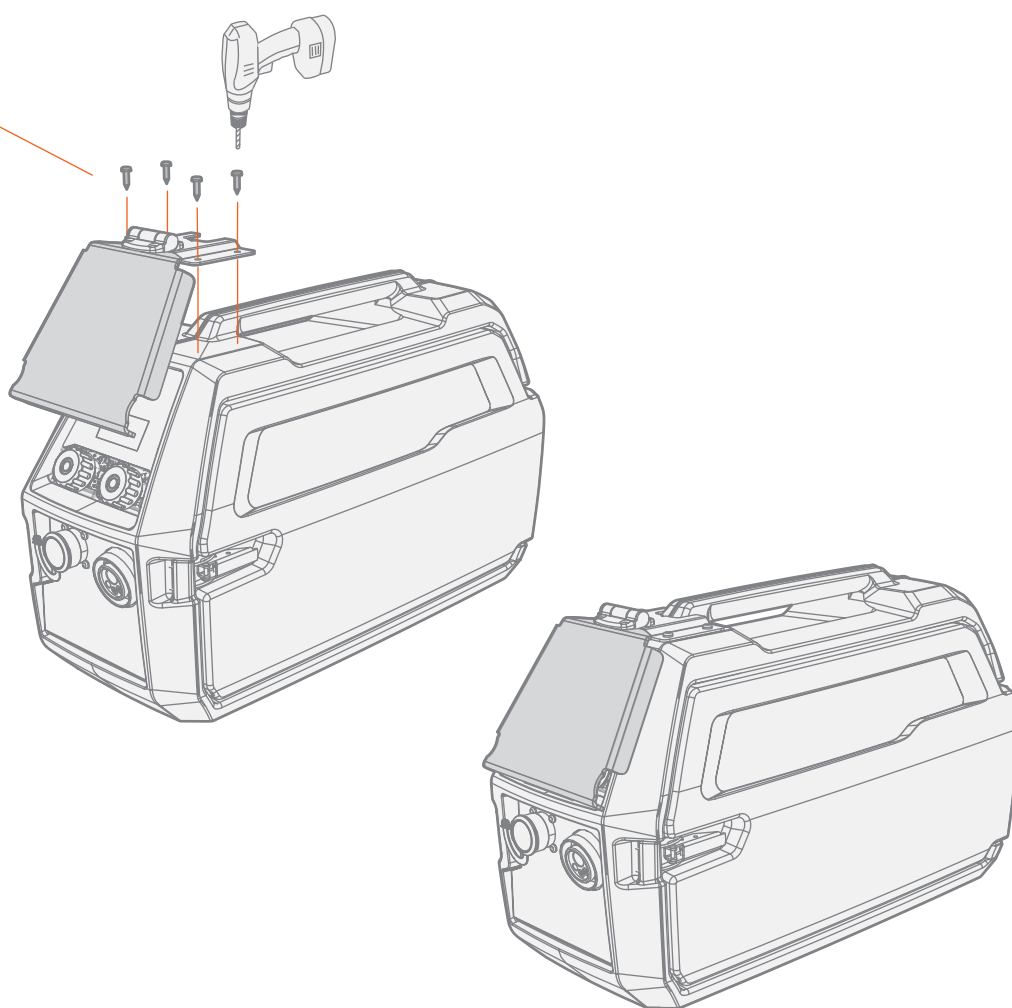


1. T20 
4 x 4.2x16



userdoc.kemppi.com

Mounting instructions

W028854 R00