

# PFU 210e Filters

Filters – Filtre – Filter – Filtros – Suodattimet – Filtres – Filtri – Filters – Filtre –  
Filtry – Filtros do – Filtrele – Фильтры – Filter – Filtreleri – 过滤器

**Operating  
manual**

Operating manual – Brugsanvisning – Gebrauchsanweisung – Manual de  
instrucciones – Käyttöohje – Manuel d'utilisation – Manuale d'uso –  
Gebruiksaanwijzing – Bruksanvisning – Instrukcja obsługi – Manual  
de utilização – Manual de utilizare – Инструкции по эксплуатации –  
Bruksanvisning – Kullanım kılavuzu – 操作手册

Read carefully these instructions and the instructions supplied with the powered filter unit PFU 210e. Save the manual for future reference.

**Safety instructions**

The particle filter provides protection against non-toxic hazardous particles. The gas filter provides protection against certain gases and vapours in breathing air in welding and similar processes - See filter selection table below.



**Warning:**

It is strictly forbidden to use any other than Kemppi branded filters or other parts or accessories with Kemppi's personal protection equipment. If you do not respect this safety regulation, serious damage for your health may occur.



**Warning:**

- Do not use this product against toxic gases and vapours.
- For protection against gases, always use a gas filter combined with a particle filter and a prefilter.
- For protection against particles, always use a particle filter combined with a prefilter and optionally an odor filter.
- The filter service life depends on the working environment. If the environment is very dirty, Kemppi recommends changing the filter after every work shift. From the hygienic point of view, the maximum working time of a filter is 180 hours.

**Storage**

Storage temperature: -20...+50 °C.

Air humidity: <80 % Rh. Store the filters in the manufacturer-sealed packages. See the expiry date on the package.

**Manufacturer:** Kemppi Oy, PL 13, 15801 Lahti, Finland

**Compliance:**

Regulation (EU) 2016/425

Regulation 2016/425 on personal protective equipment as brought into UK law and amended

**Compliance with standards:**

PFU 210e: EN12941:2023, AS/NZS 1716: 2012

Particle filters: P, Gas filters: A1B1E1

(Max. inward leakage: TH3 = 0.2 %, TH2 = 2%)

- Immediately replace the filter(s) as soon as you can smell the contaminant.
- When using a gas filter to protect you against gases that are difficult to identify by smell or other senses, follow all special rules for the current conditions.
- Always replace a clogged filter. Never attempt to clean the filter, for example, with pressurized air.
- Do not use expired filters. The expiry date is marked on each filter.
- Only use certified and original filters in PFU 210e Powered Filter Unit. Also, ensure that the filters comply with standard EN12941.
- Oxygen concentration in the ambient air in the premises where the filtering unit is used must not be <17%.
- Note that the gas filters in classes A1, B1 and E1 have been tested for 500 ppm (EN 12941) and for 1000 ppm (AS/NZS 1716: 2012) concentrations.
- The gas filter classification do not indicate the performance of the device in actual use at the workplace and in relation to established occupational exposure limits.
- The minimum breakthrough times are intended only for laboratory tests under standardized conditions. They do not give an indication of the possible service.time of the filter in practical use which can differ from the breakthrough times in both directions, positive and negative depending on the conditions of use.

**Type inspected by:**

FORCE Certification A/S, Notified body No. 0200, Park Alle 345, DK-2605 Brøndby (CE Module B).

CCQS Certification Services Limited, Notified body No. 2834, Block 1 Blanchardstown Corporate Park, Ballycoolin Road, Blanchardstown, Dublin 15 D15 AKK1 Dublin, Ireland (CE Module D).

INSPEC International B.V., Notified body no. 2849, Beechavenue 54-62, 1119 PW, Schiphol-Rijk, The Netherlands (Module B).

AS/NZS: SAI Global Certification Services Pty Limited, Level 7, 45 Clarence Street, Sydney NSW 2000, Australia

**Table for filter selection**

Marking	Standard	Part n°	Colour code	Description/Protection against
P	EN12941	SP010415	White	Solid and liquid particles (Aerosols)
	AS/NZS 1716			
A1B1E1	EN12941	SP009934	Brown, Grey, Yellow	<ul style="list-style-type: none"> <li>• Organic gases and vapours with boiling point &gt;65°C</li> <li>• Inorganic gases and vapours</li> </ul>
	AS/NZS 1716	SP021038		

**EN**

SP012095	Filter cover
SP9320003	Spark arrester
SP9320002	Prefilter, 10 pcs
SP010415	Particle filter Life+, 5 pcs
SP009934	Gas filter Life+
SP021038	Gas filter only for AS/NZS markets
SP027163	Odor prefilter, 10 pcs

**DE**

SP012095	Filterdeckel
SP9320003	Funkensperre
SP9320002	Vorfilter, 10 Stück
SP010415	Partikelfilter Life+, 5 Stück
SP009934	Gasfilter Life+
SP021038	Gasfilter nur für AS / NZS Märkte
SP027163	Geruchsvorfilter, 10 Stück

**FR**

SP012095	Couvercle du filtre
SP9320003	Pare-étincelles
SP9320002	Préfiltre, 10 pièces
SP010415	Filtre à particules Life+, 5 pièces
SP009934	Filtre à gaz Life+
SP021038	Filtre à gaz uniquement pour AS / NZS marchés
SP027163	Préfiltre à odeurs, 10 pièces

**NL**

SP012095	Filterdeksel
SP9320003	Vonkenvanger
SP9320002	Voorfilter, 10 stuks
SP010415	Deeltjesfilter Life+, 5 stuks
SP009934	Gasfilter Life+
SP021038	Gasfilter alleen voor AS / NZS markten
SP027163	Geur voorfilter, 10 stuks

**DA**

SP012095	Filterdæksel
SP9320003	Gnistfanger
SP9320002	Forfilter, 10 stk.
SP010415	Partikelfilter Life+, 5 stk.
SP009934	Gasfilter Life+
SP021038	Gasfilter kun for AS / NZS markeder
SP027163	Forfilter til lugt, 10 stk.

**ES**

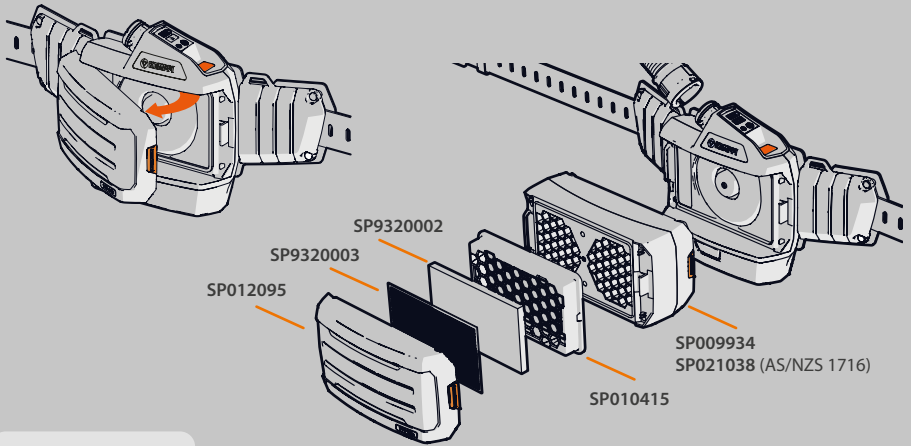
SP012095	Cubierta de filtro
SP9320003	Parachispas
SP9320002	Prefiltro, 10 piezas
SP010415	Filtro de partículas Life+, 5 piezas
SP009934	Filtro de gas Life+
SP021038	Filtro de gas solo para AS / NZS mercados
SP027163	Prefiltro para olores, 10 piezas

**IT**

SP012095	Coperchio dei filtri
SP9320003	Protezione anti-scintille
SP9320002	Pre-filtro, 10 pezzi
SP010415	Filtro anti-particolato Life+, 5 pezzi
SP009934	Filtro gas Life+
SP021038	Filtro gas solo per AS / NZS mercati
SP027163	Prefiltro anti-odore, 10 pezzi

**NO**

SP012095	Filterdeksel
SP9320003	Gnistfanger
SP9320002	Forfilter, 10 stk
SP010415	Partikkelfilter Life+, 5 stk
SP009934	Gasfilter Life+
SP021038	Gassfilter bare for AS / NZS markeder
SP027163	Odørforfilter, 10 stk



SP9320002

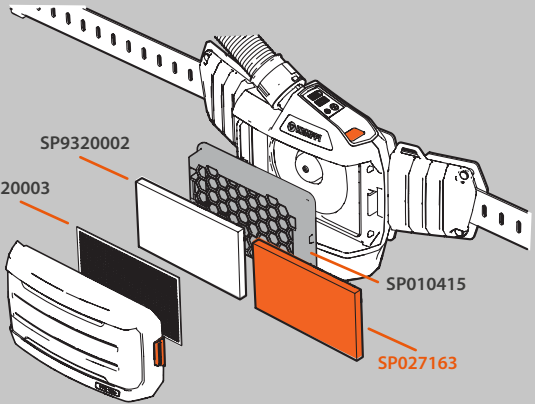
SP9320003

SP012095

SP009934

SP021038 (AS/NZS 1716)

SP010415



SP9320002

SP9320003

SP012095

SP010415

SP027163

**CE**  
2834

**UK  
CA**



AS/NZS 1716  
Lic. 40175



Declaration of Conformity – Overensstemmelseserklæring – Konformitätserklärung  
– Declaración de conformidad – Vaatimustenmukaisuusvakuutus – Déclaration  
de conformité – Dichiarazione di conformità – Verklaring van overeenstemming –  
Samsvarserklæring – Deklaracja zgodności – Declaração de conformidade – Declarație  
de conformitate – Заявления о соответствии – Försäkran om överensstämmelse –  
Uygunluk Beyanı – 符合性声明



[userdoc.kemppi.com](http://userdoc.kemppi.com)

 **KEMPPi**