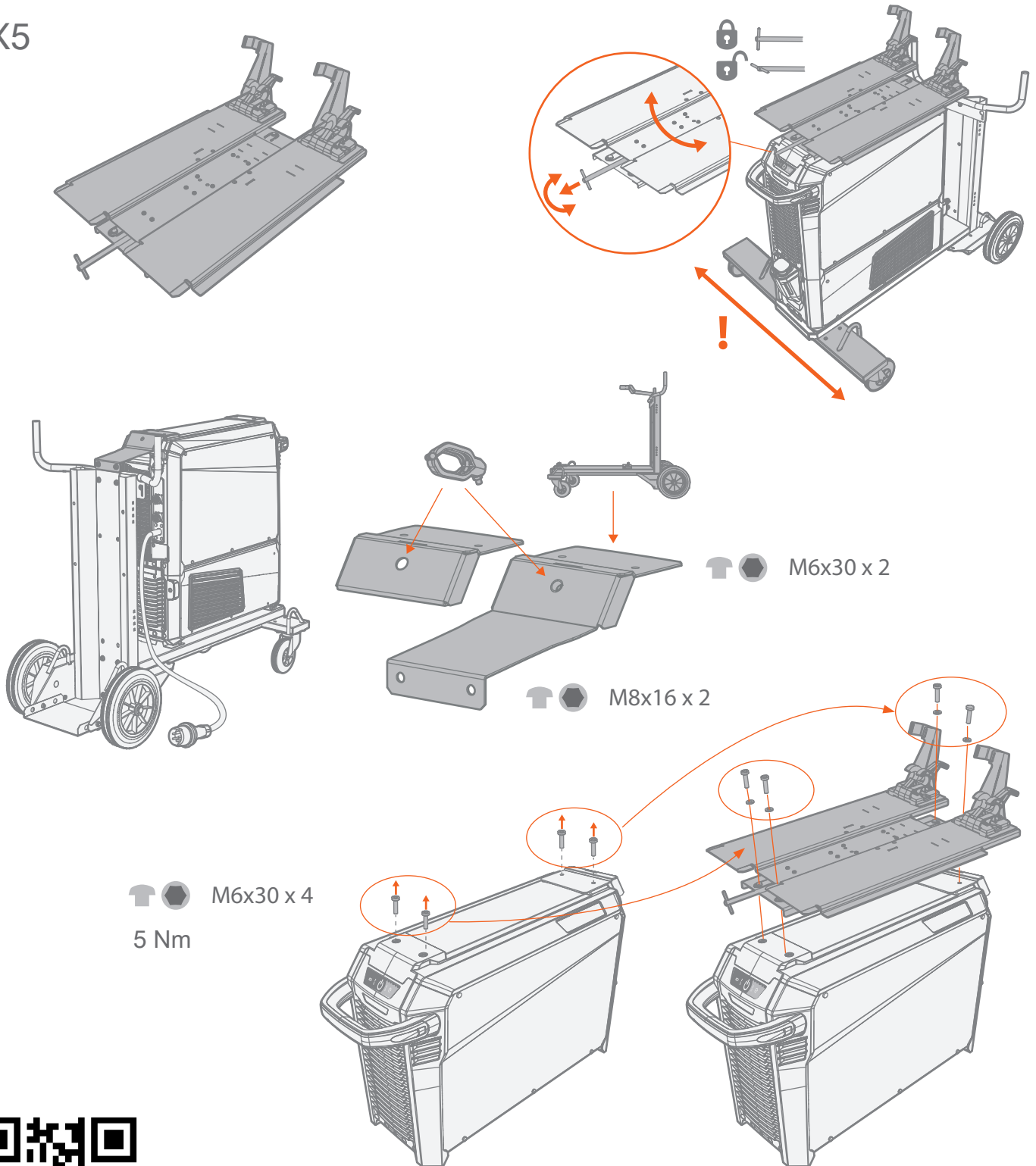


X5

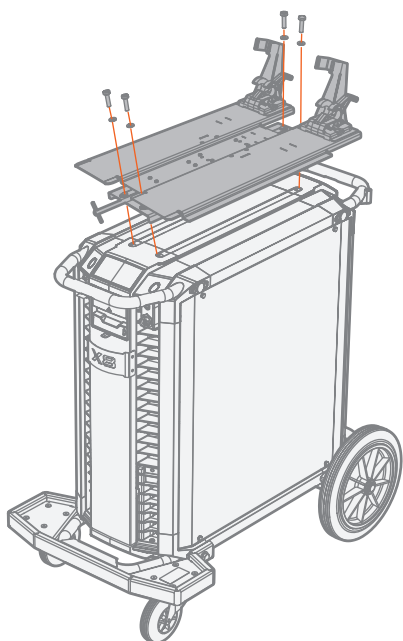


 [userdoc.kemppi.com](http://userdoc.kemppi.com)

Mounting instructions

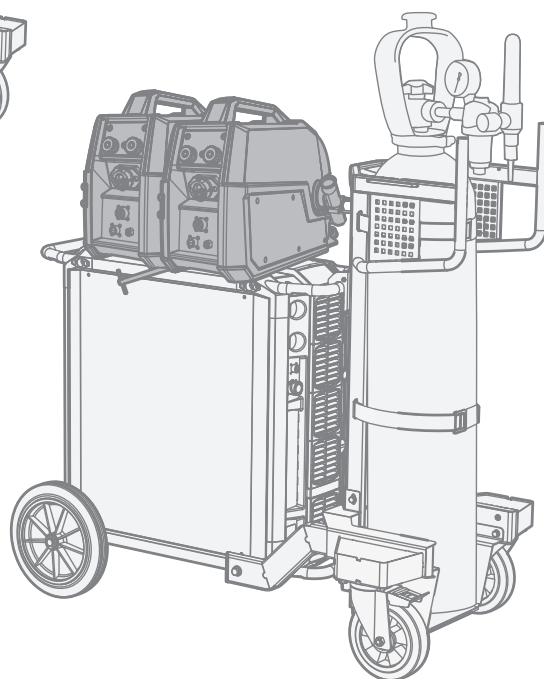
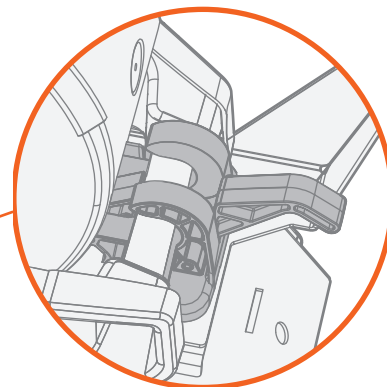
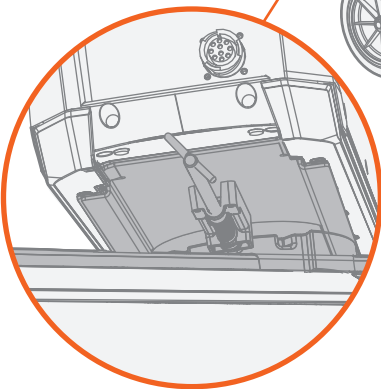
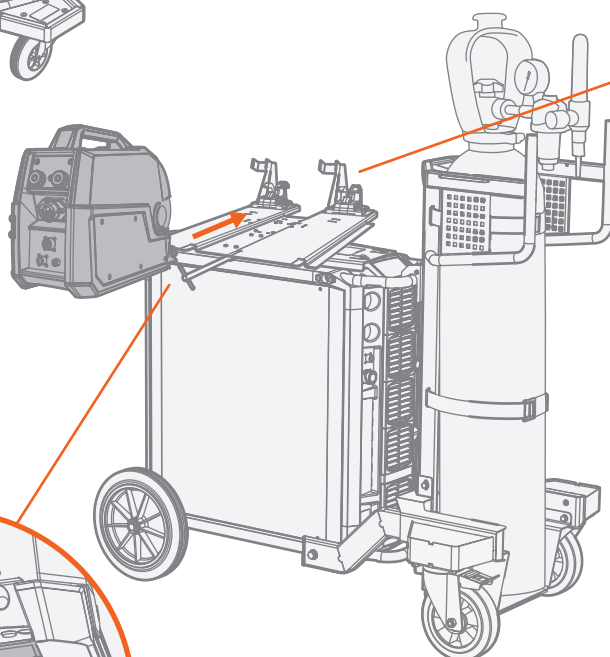
W021550 R00

X8



 M6x16 x 4  
5 Nm

X5 / X8



[userdoc.kemppi.com](http://userdoc.kemppi.com)

Mounting instructions

W021550 R00