

1 2 x M5x12

2 2 x M5x12

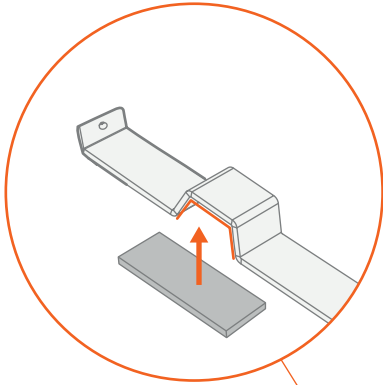


userdoc.kemppi.com

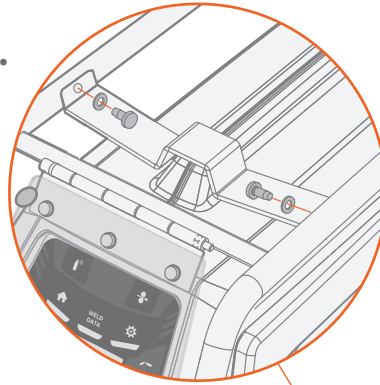
Mounting instructions

W021425 R01

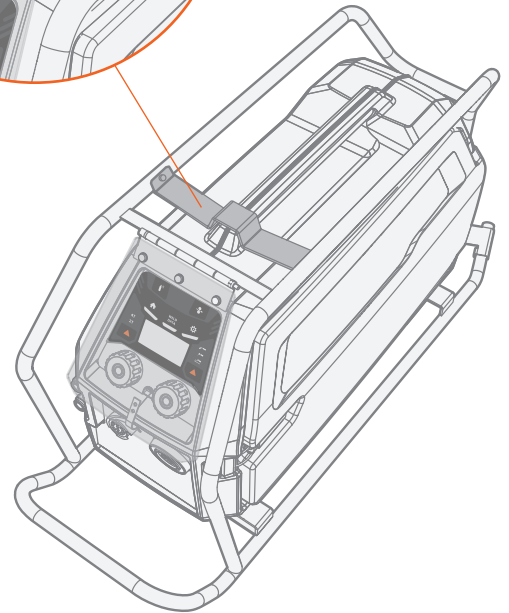
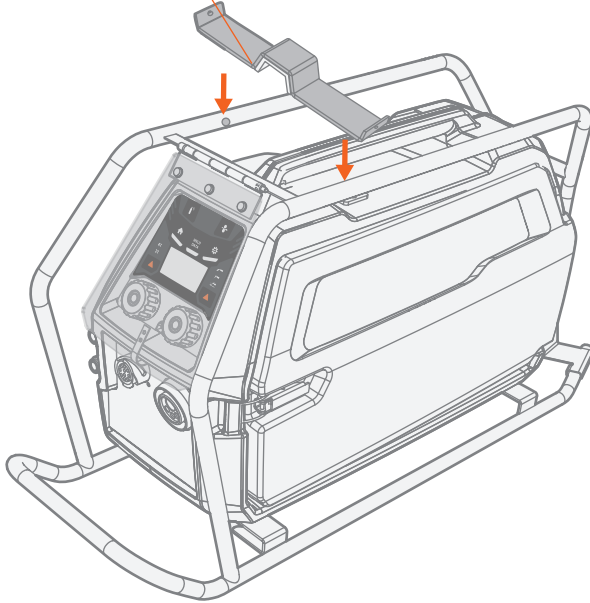
3.



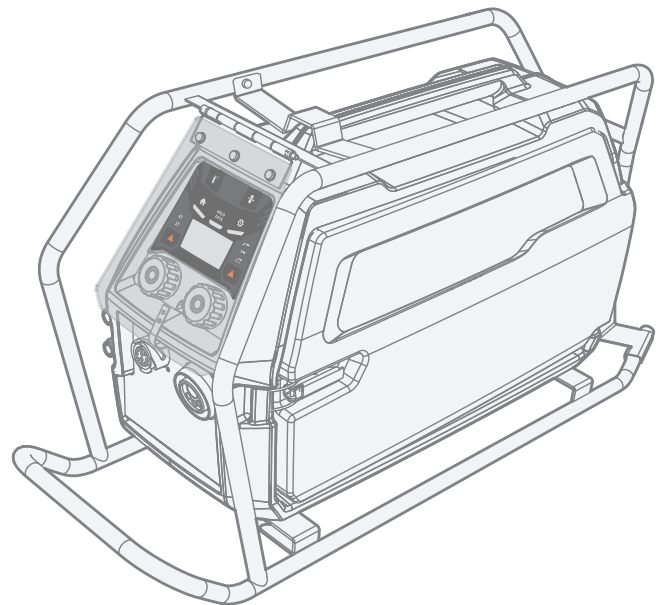
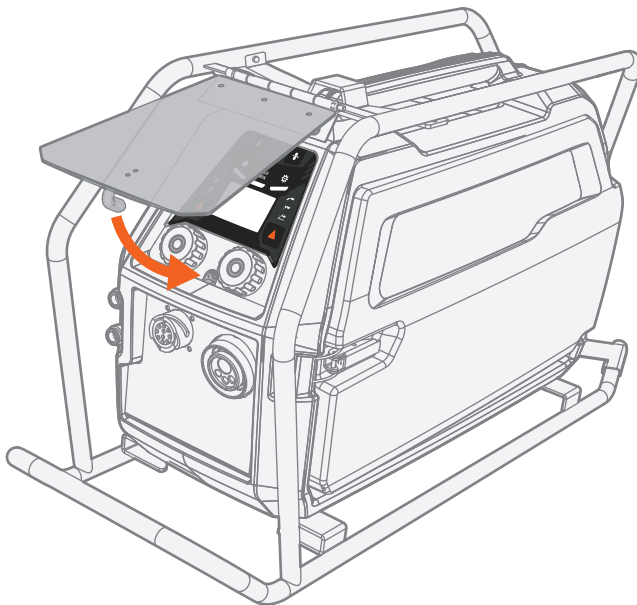
4.



2 x M5x12



5.



Mounting instructions

W021425 R01